

Service
Service
Service



Service Manual



CONTENTS

Disassembly diagram.....	5-1
Main board	
Circuit diagram	6-1..6-4
Layout diagram.....	6-5..6-6
MCU board	
Circuit diagram	7-1
Layout diagram.....	7-2..7-3
Display board	
Circuit diagram	8-1
Layout diagram.....	8-2
Jack board	
Circuit diagram	9-1
Layout diagram.....	9-2..9-5
Exploded view diagram	10-1
Service parts list	11-1



© Copyright 2009 Philips Consumer Electronics B.V. Eindhoven, The Netherlands
All rights reserved. No part of this publication may be reproduced, stored in a retrieval system or transmitted, in any form or by any means, electronic, mechanical, photocopying, or otherwise without the prior permission of Philips.

Published by LX 0911 Service Audio Subject to modification

3141 785 33710

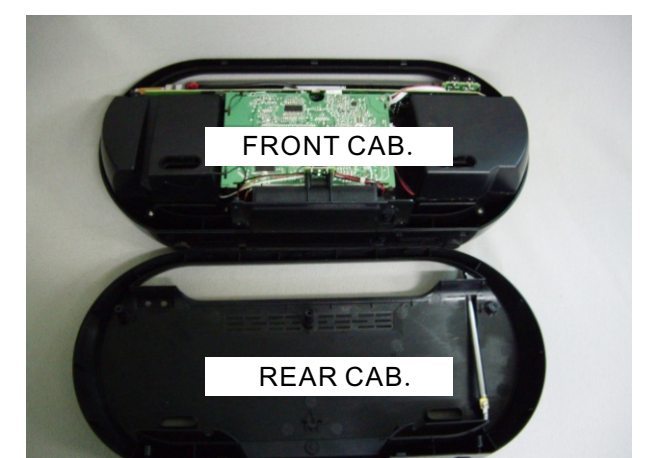
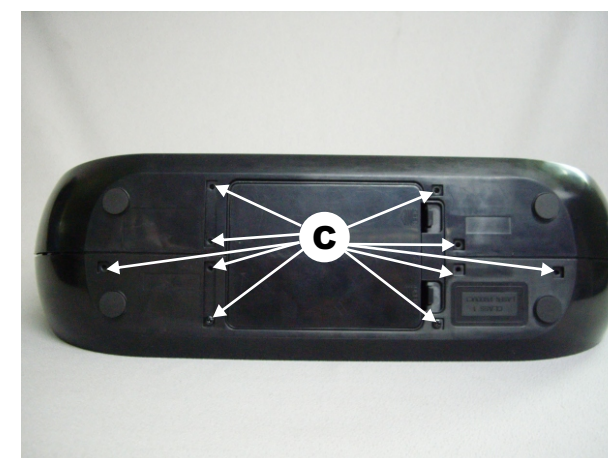
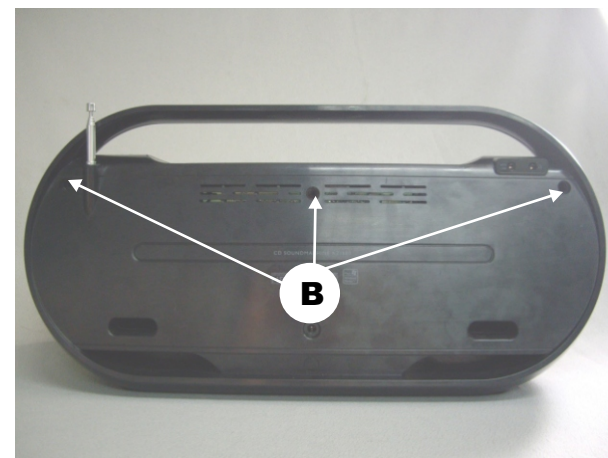
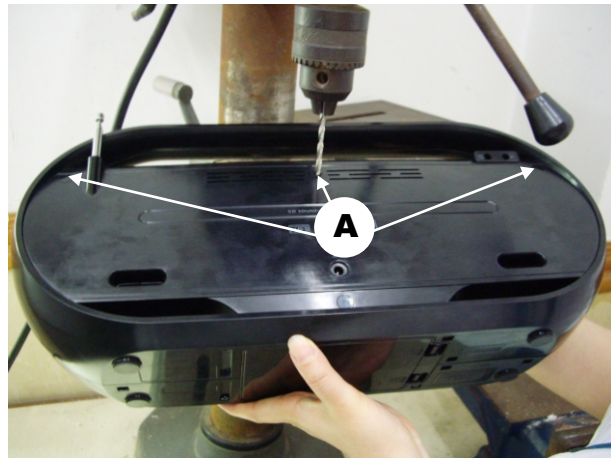
Version 1.0



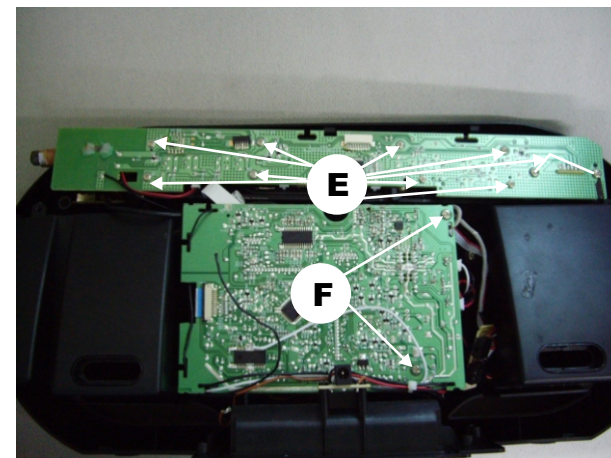
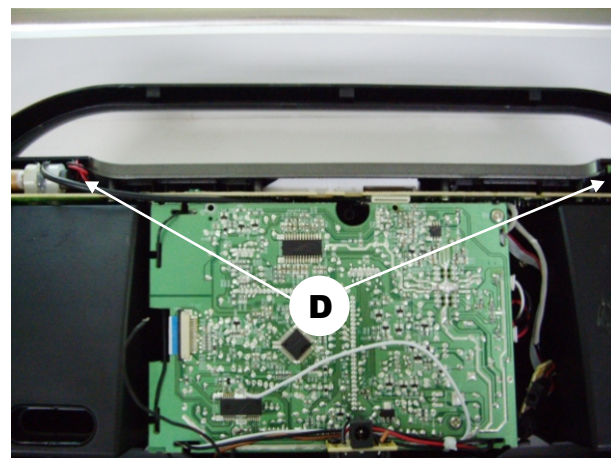
PHILIPS

DISASSEMBLY DIAGRAM**Dismantling of the Rear Cabinet**

- 1) Remove 3 screw hole cover A and 3 screws B as indicated.
- 2) Remove 10 screws C as indicated to loosen the Rear Cabinet.

**Dismantling of the PCB Board**

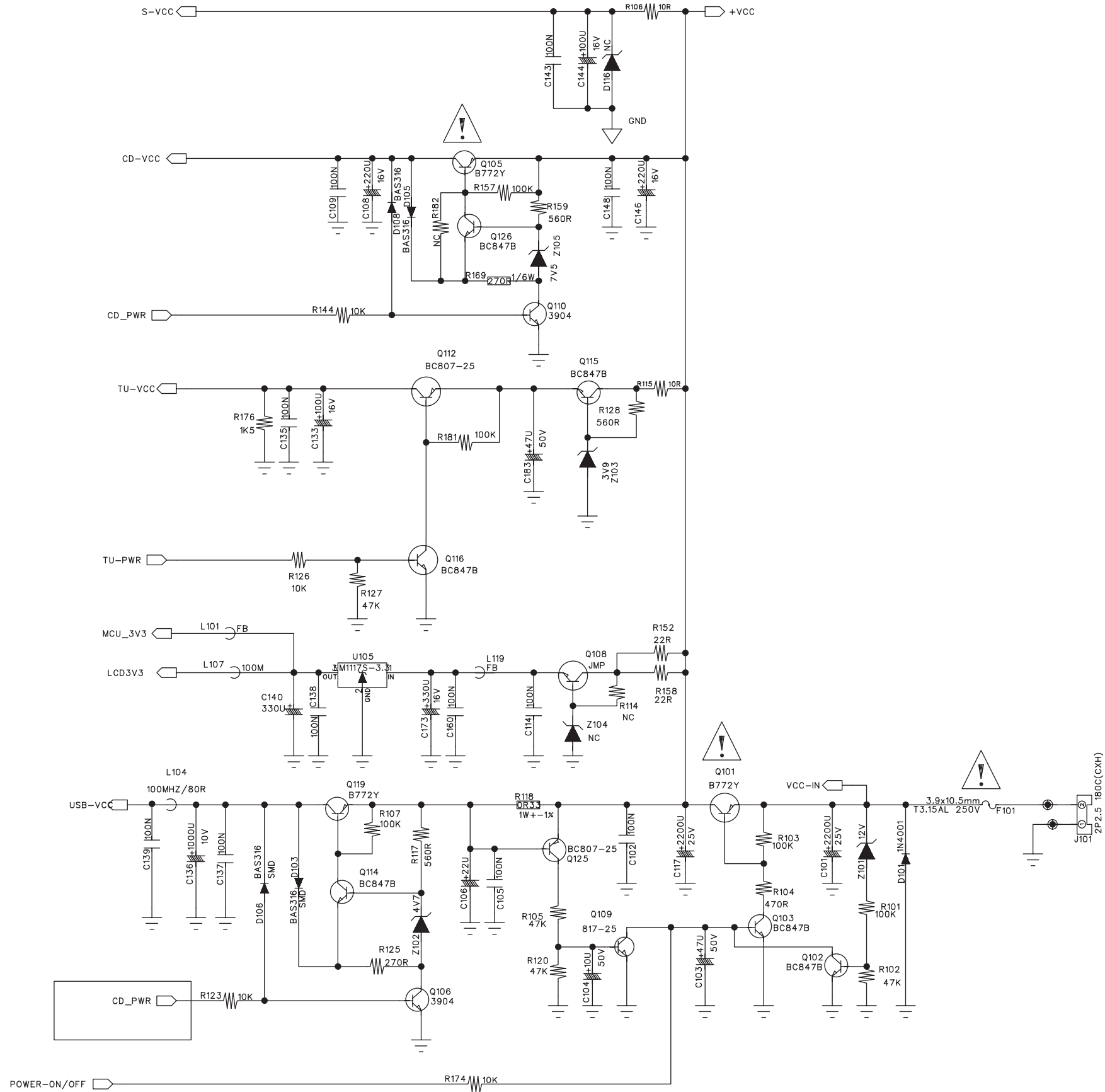
- 1) Remove 2 screws D as indicated to loosen the Display Board and Control Plate.
- 2) Remove 10 screws E as indicated to loosen the Display Board.
- 3) Remove 2 screws F as indicated to loosen the Main Board.



CIRCUIT DIAGRAM - MAIN BOARD
PART 1

6-1

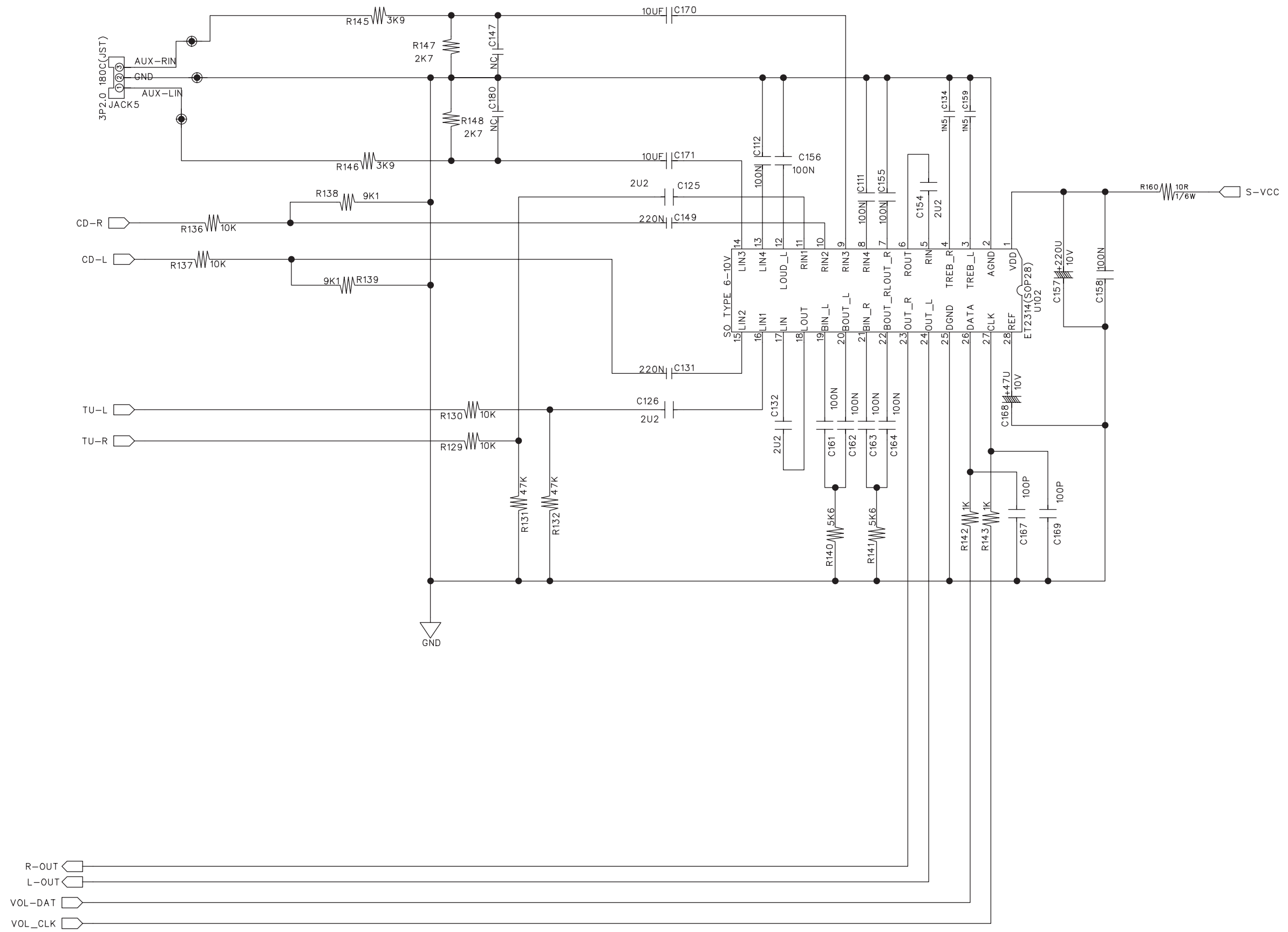
6-1



CIRCUIT DIAGRAM - MAIN BOARD
PART 2

6-2

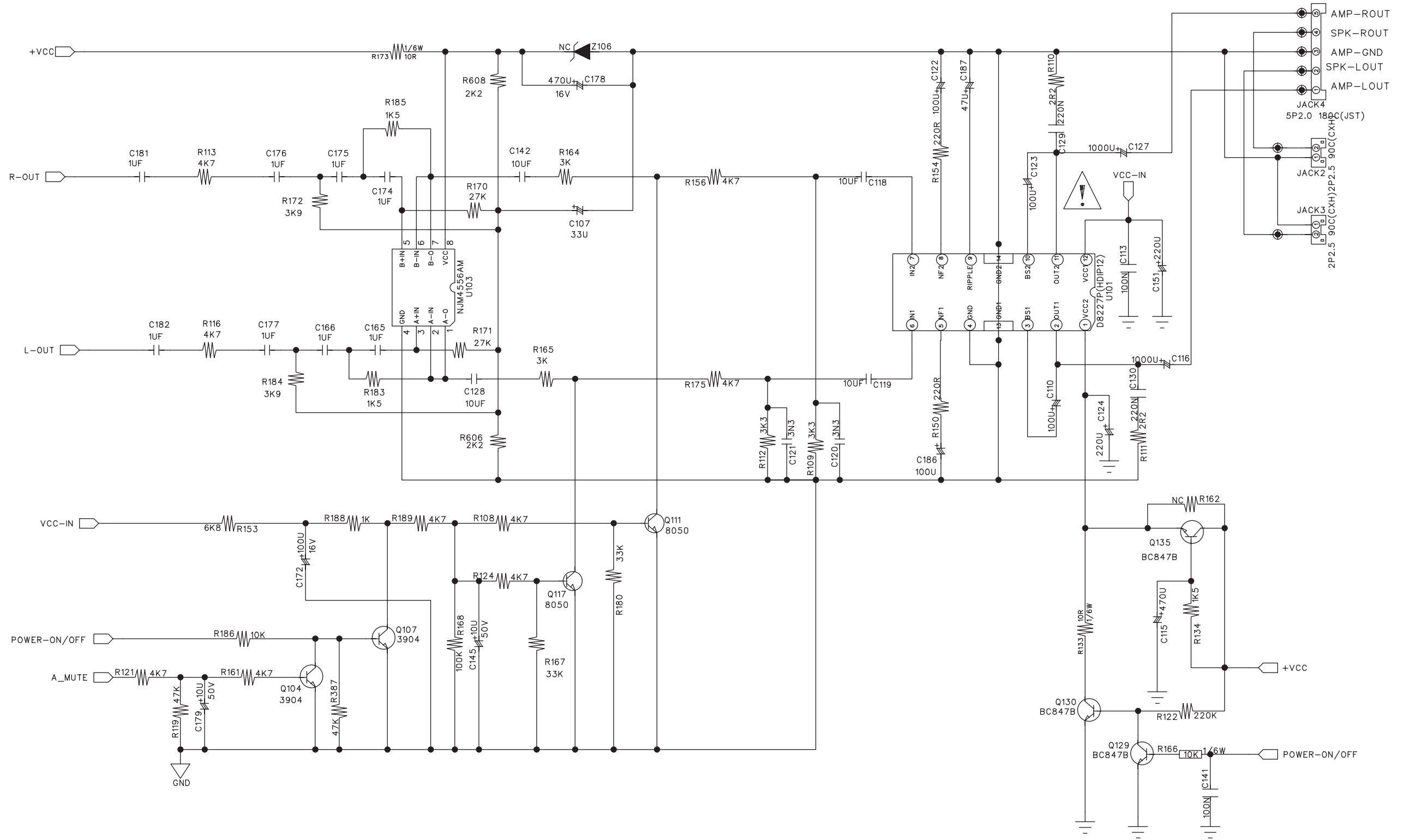
6-2



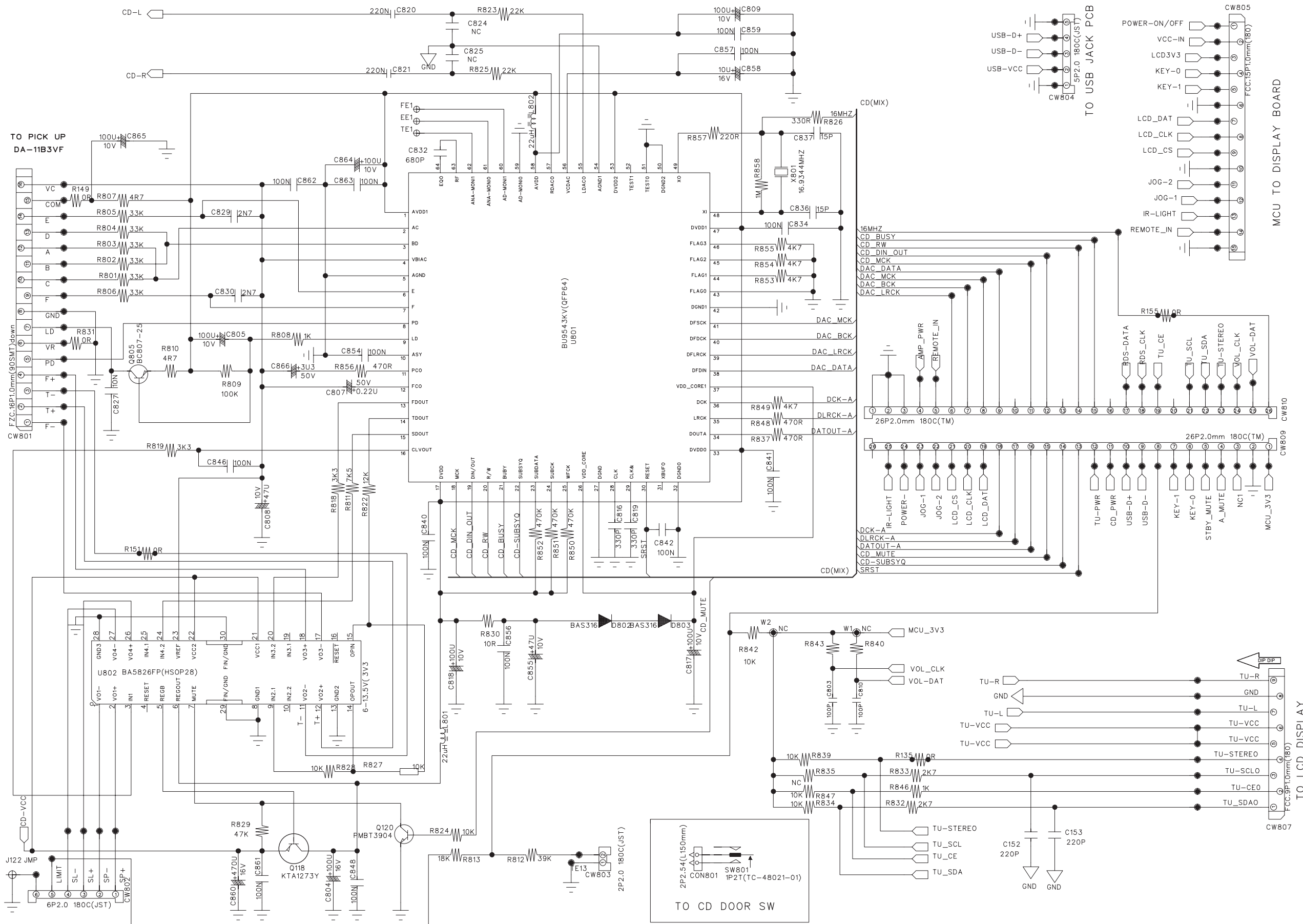
CIRCUIT DIAGRAM - MAIN BOARD
PART 3

6-3

6-3



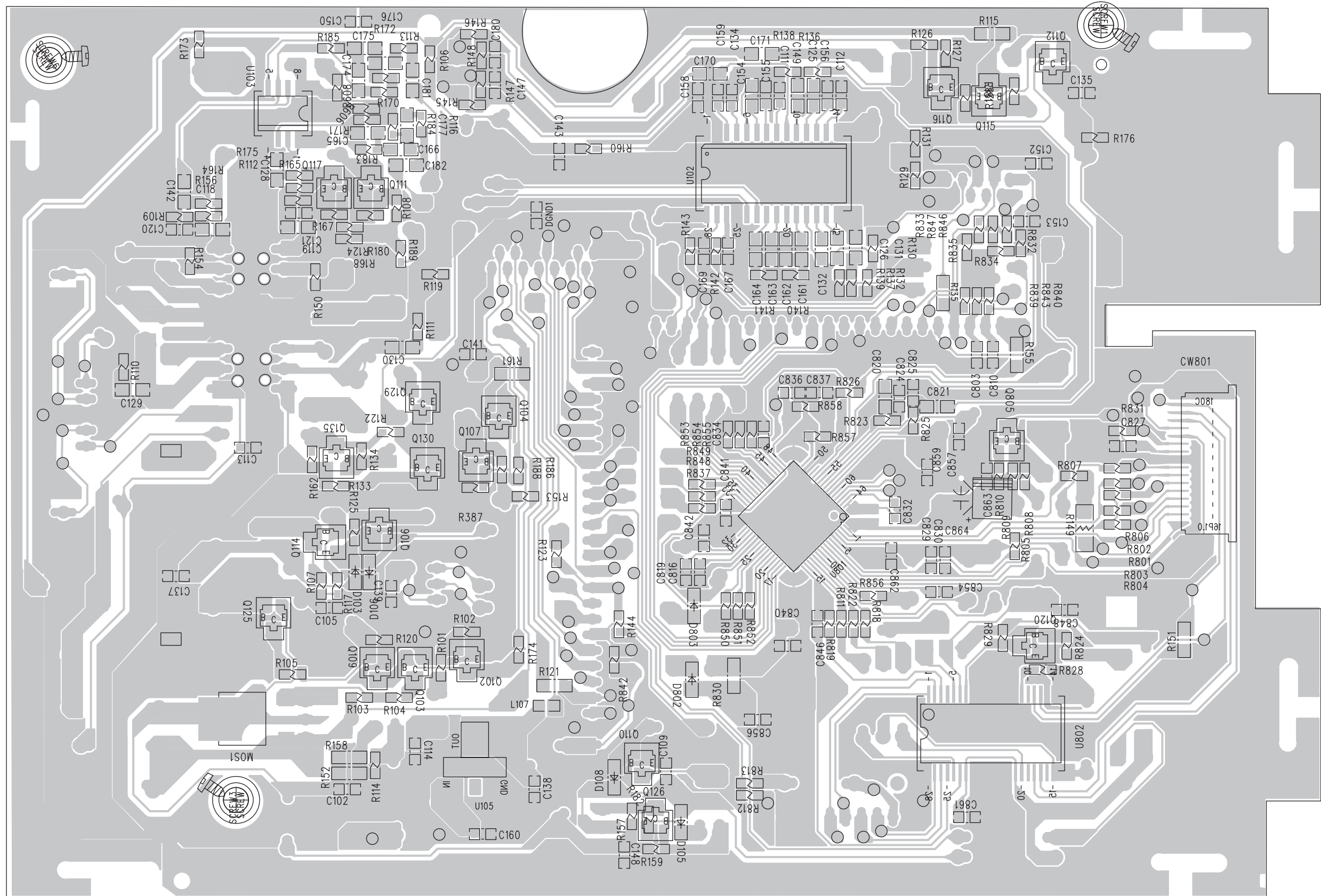
**CIRCUIT DIAGRAM - MAIN BOARD
PART 4**



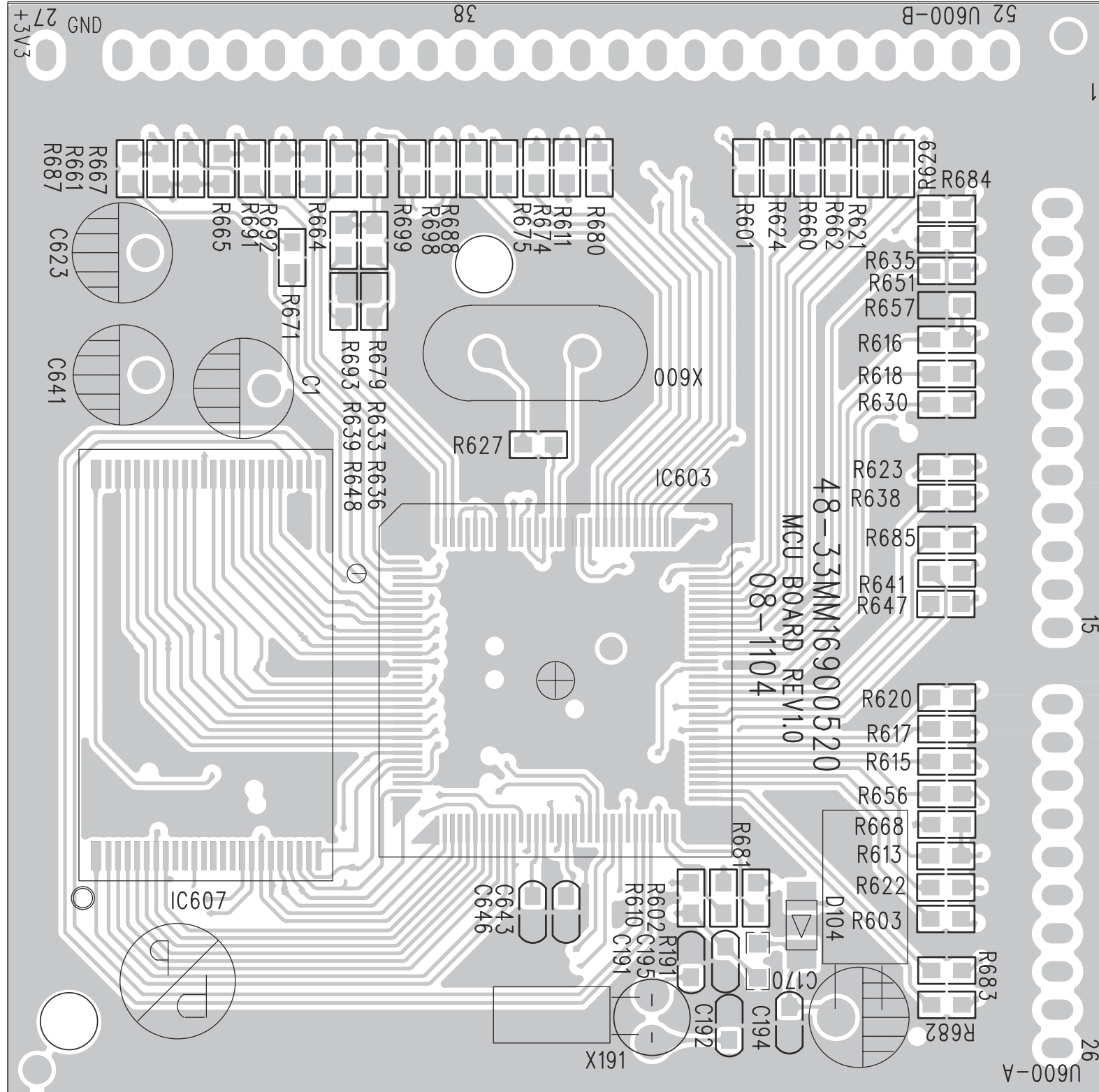
LAYOUT DIAGRAM - MAIN BOARD
BOTTOM SIDE

6-6

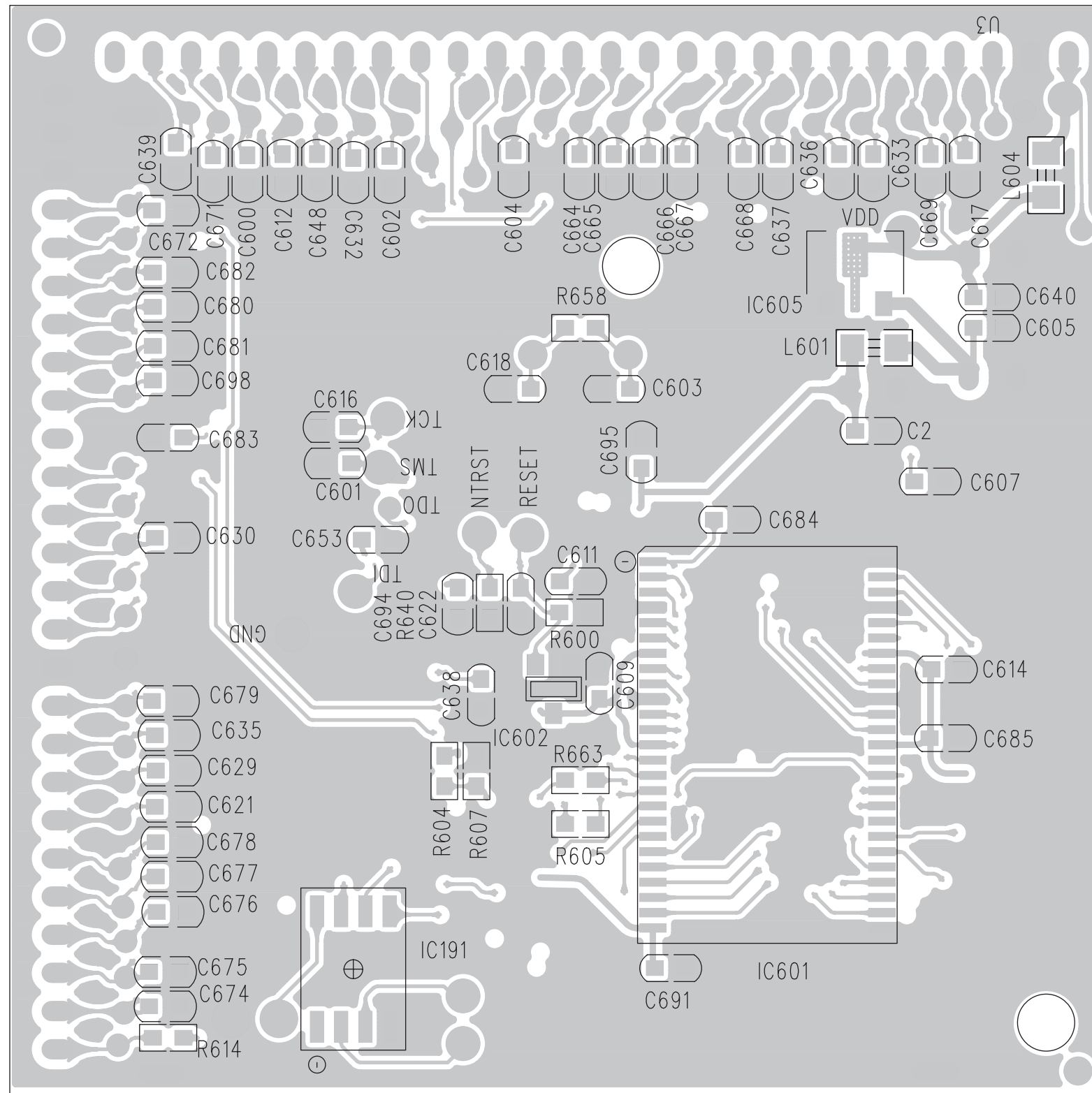
6-6



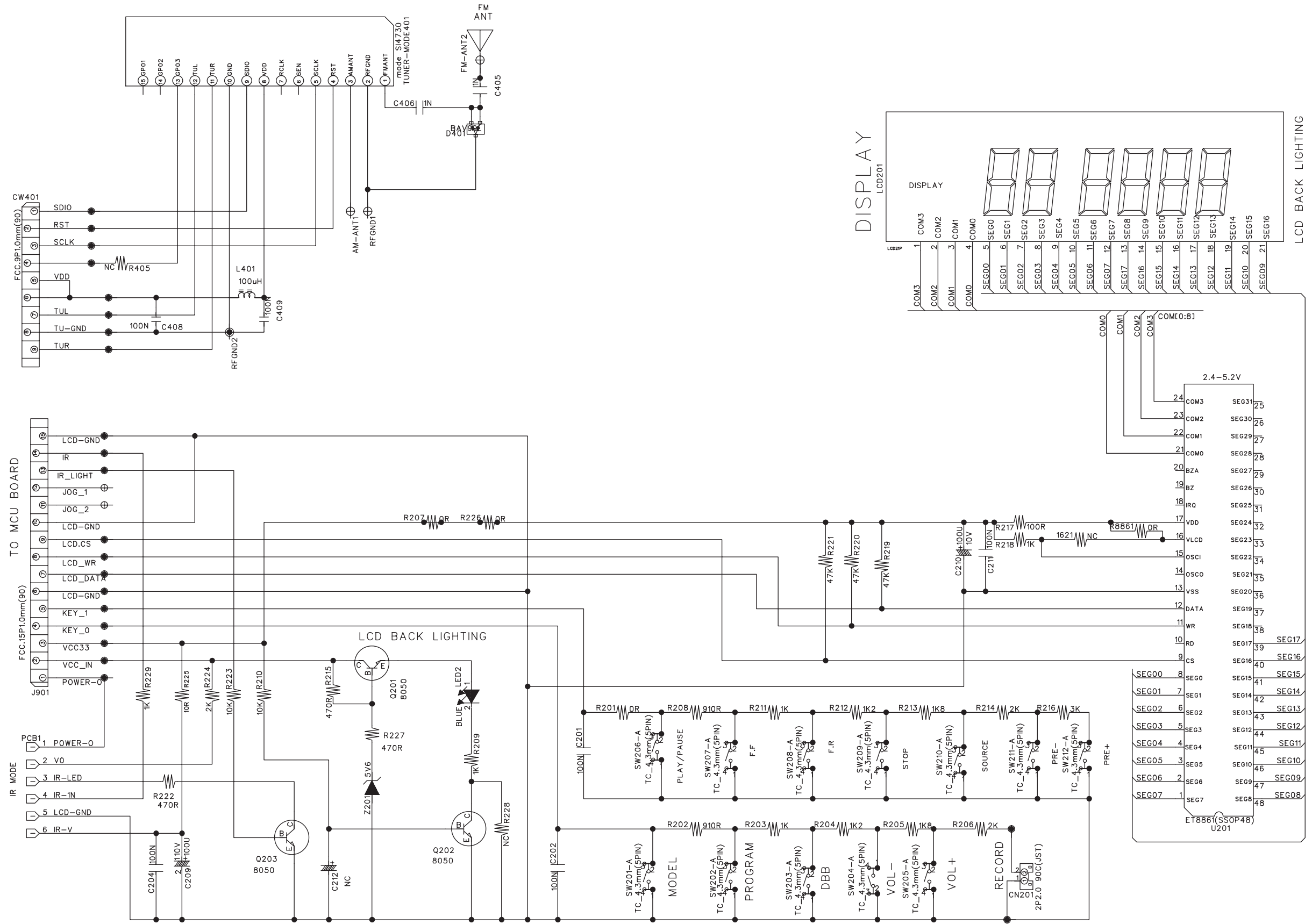
LAYOUT DIAGRAM - MCU BOARD
TOP SIDE



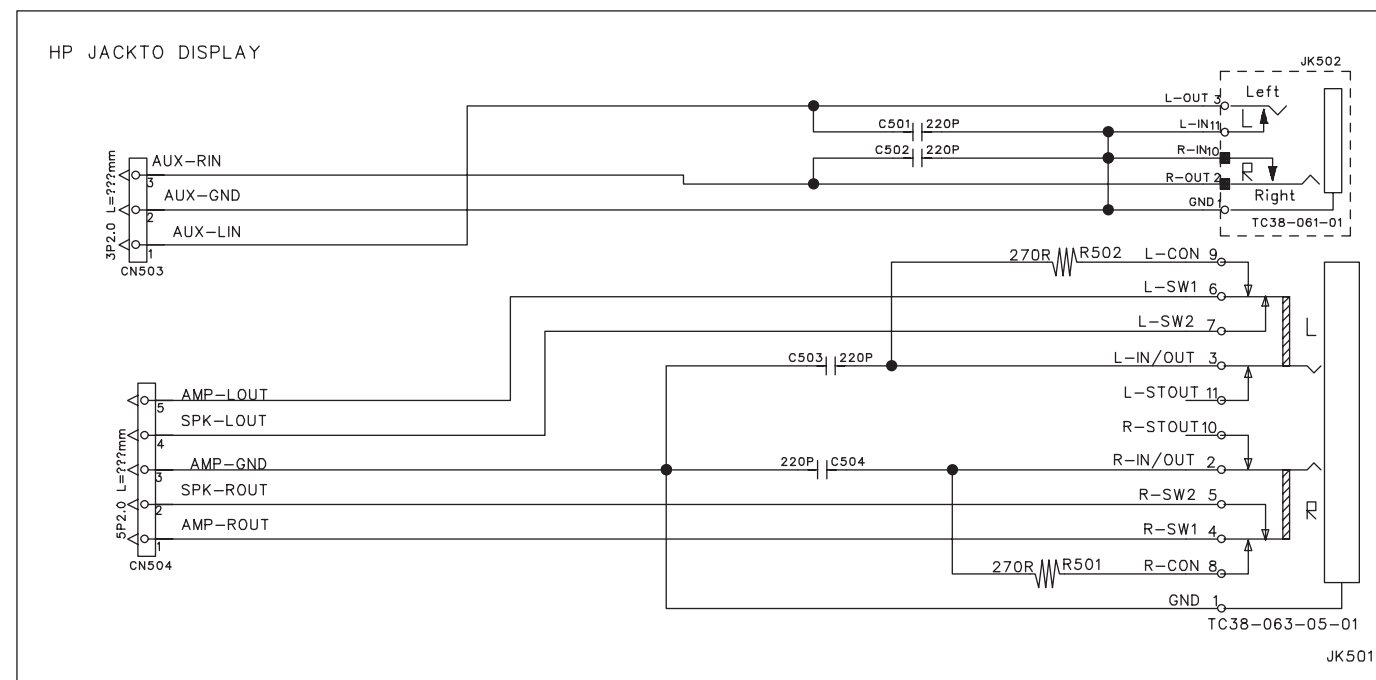
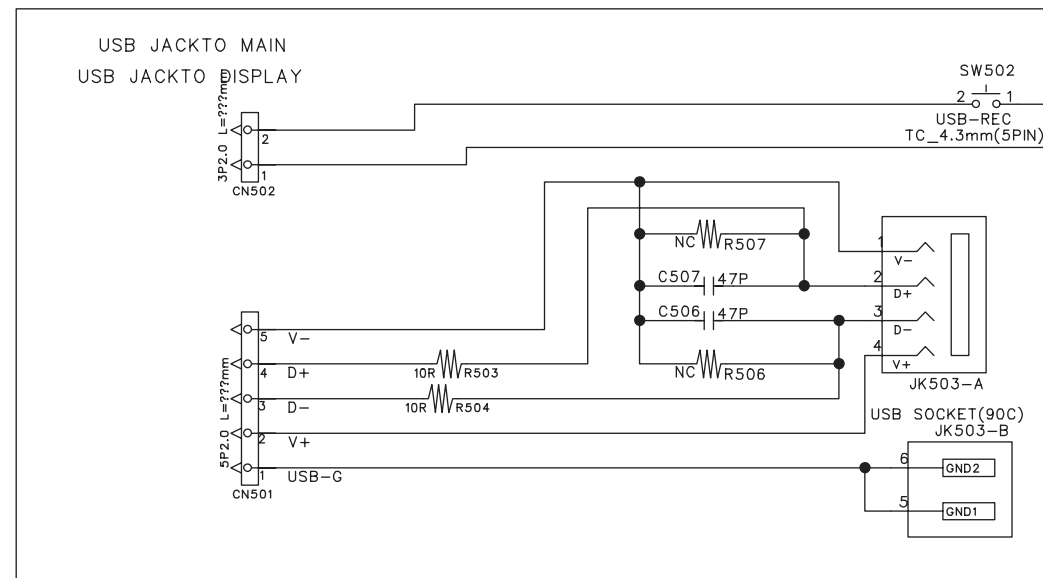
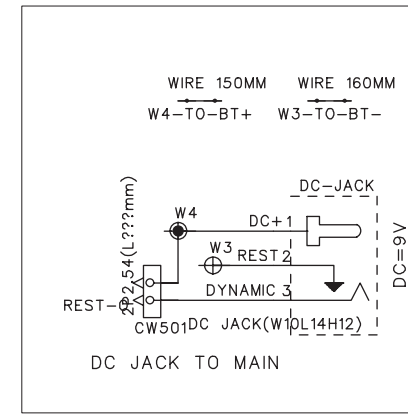
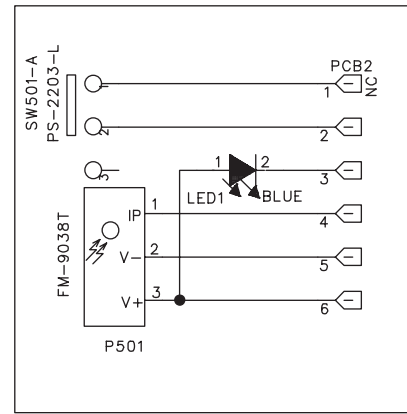
LAYOUT DIAGRAM - MCU BOARD
BOTTOM SIDE

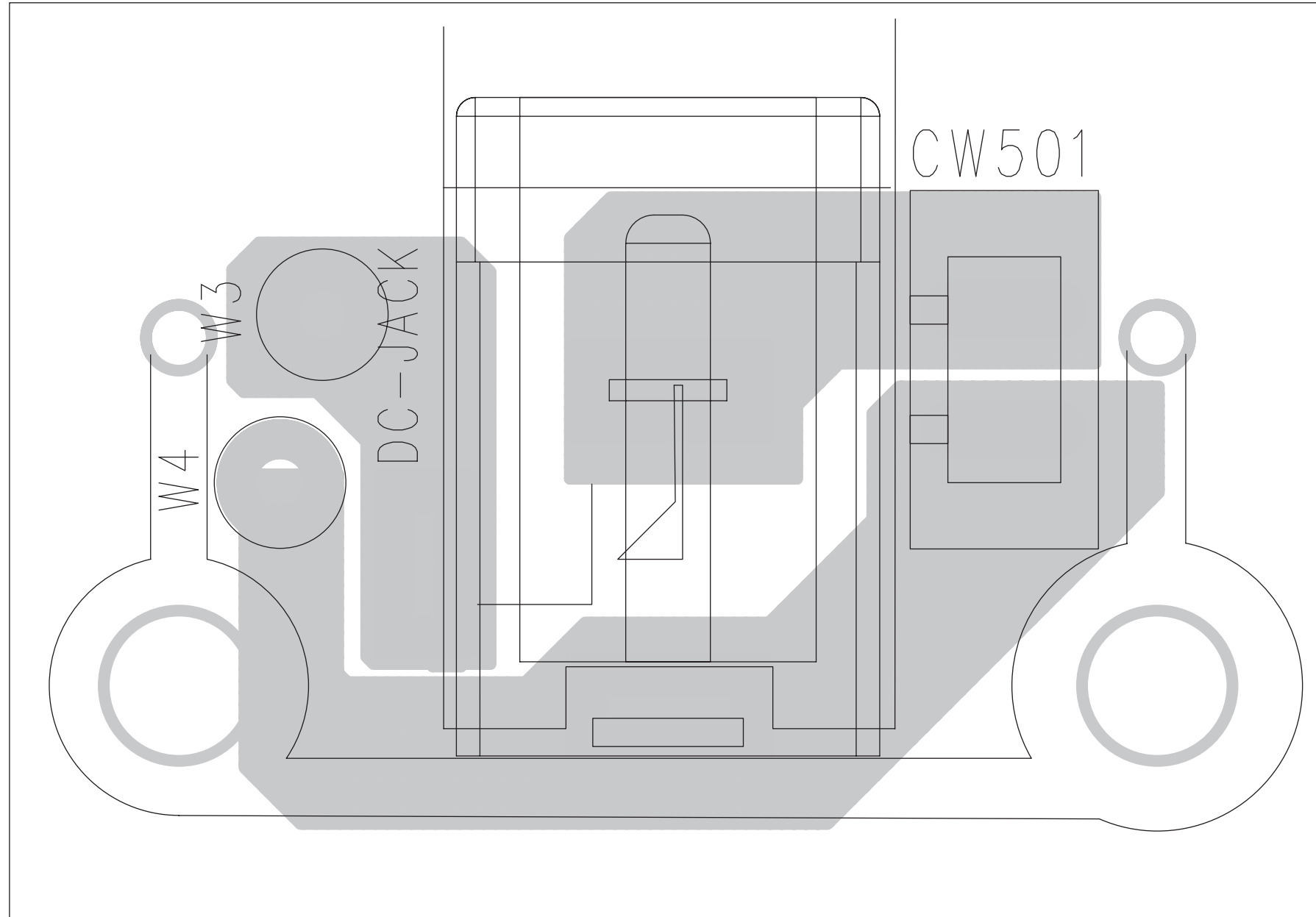


CIRCUIT DIAGRAM - DISPLAY BOARD

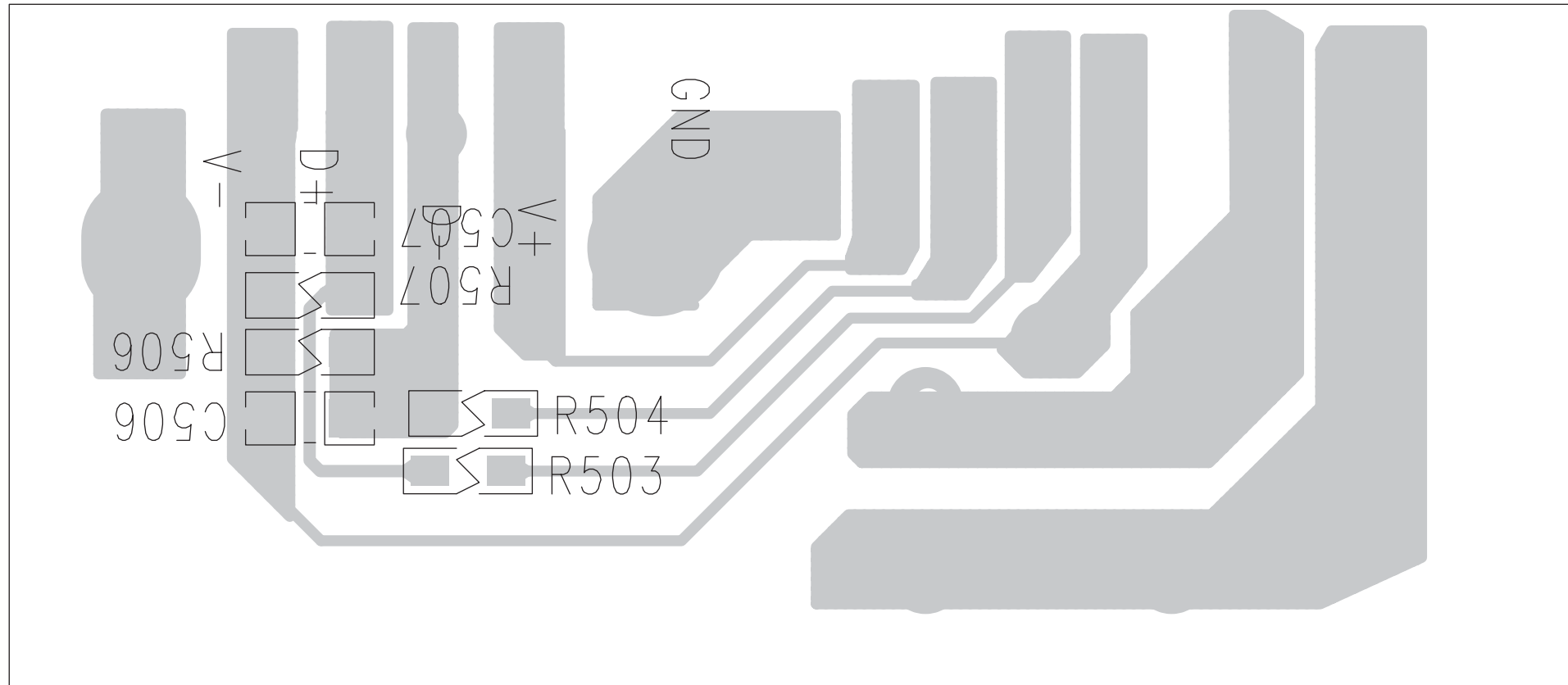
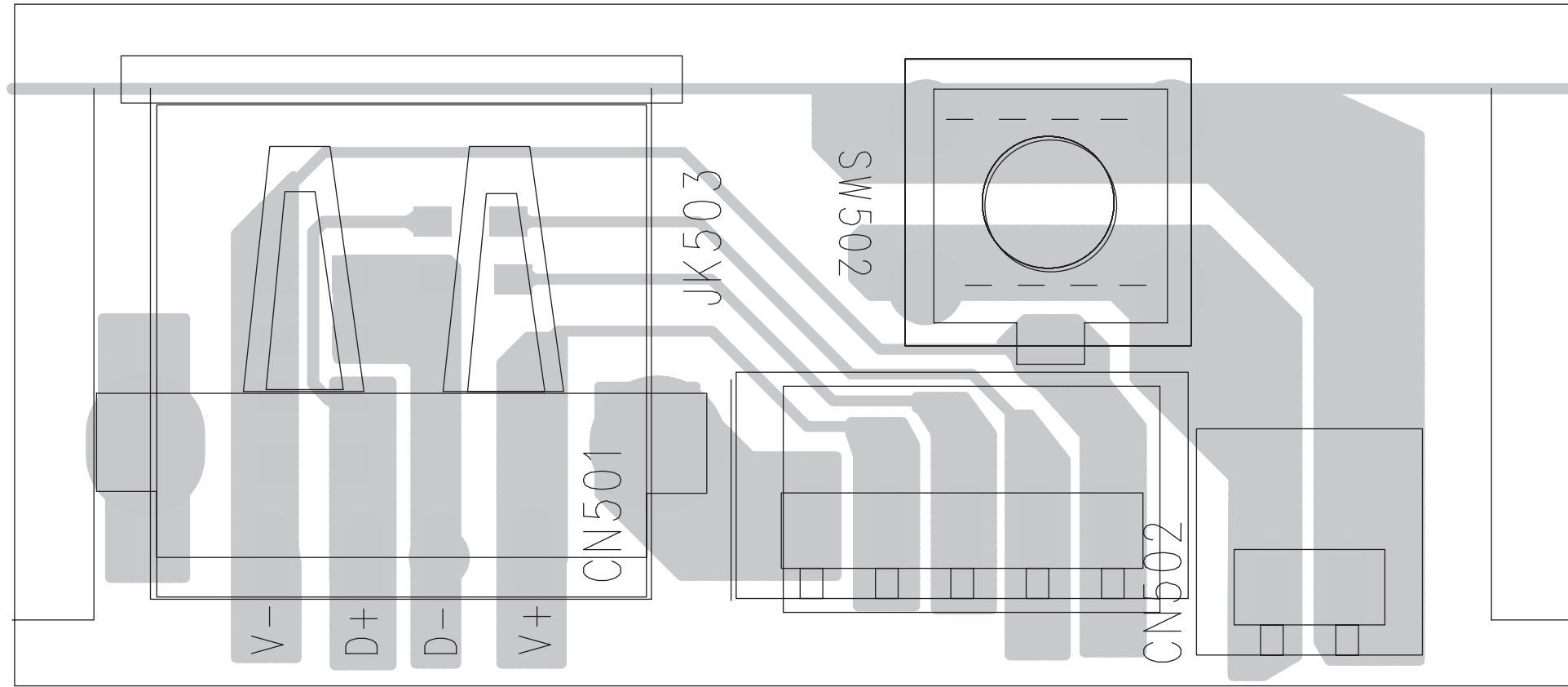


CIRCUIT DIAGRAM - JACK BOARD&POWER SWITCH BOARD

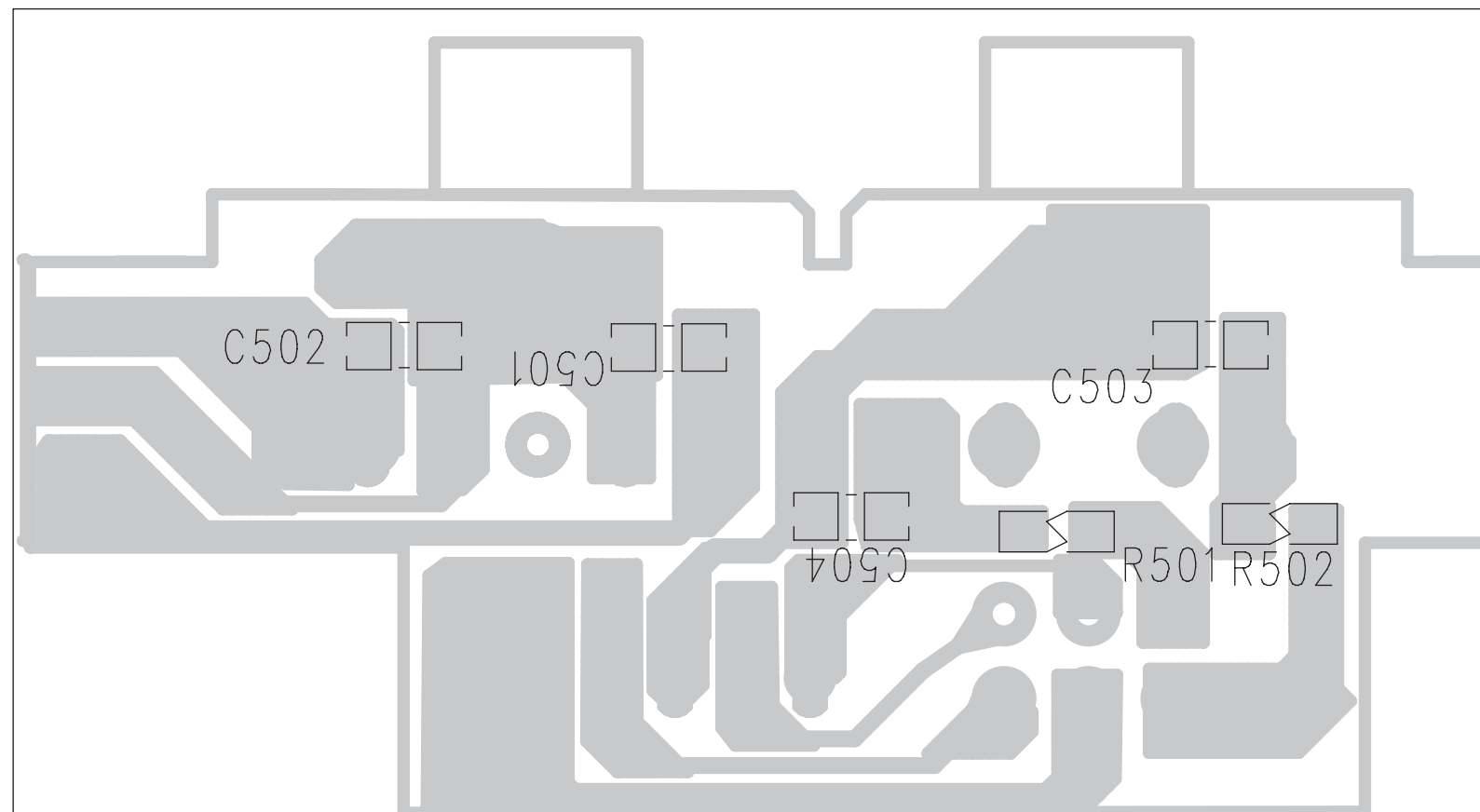
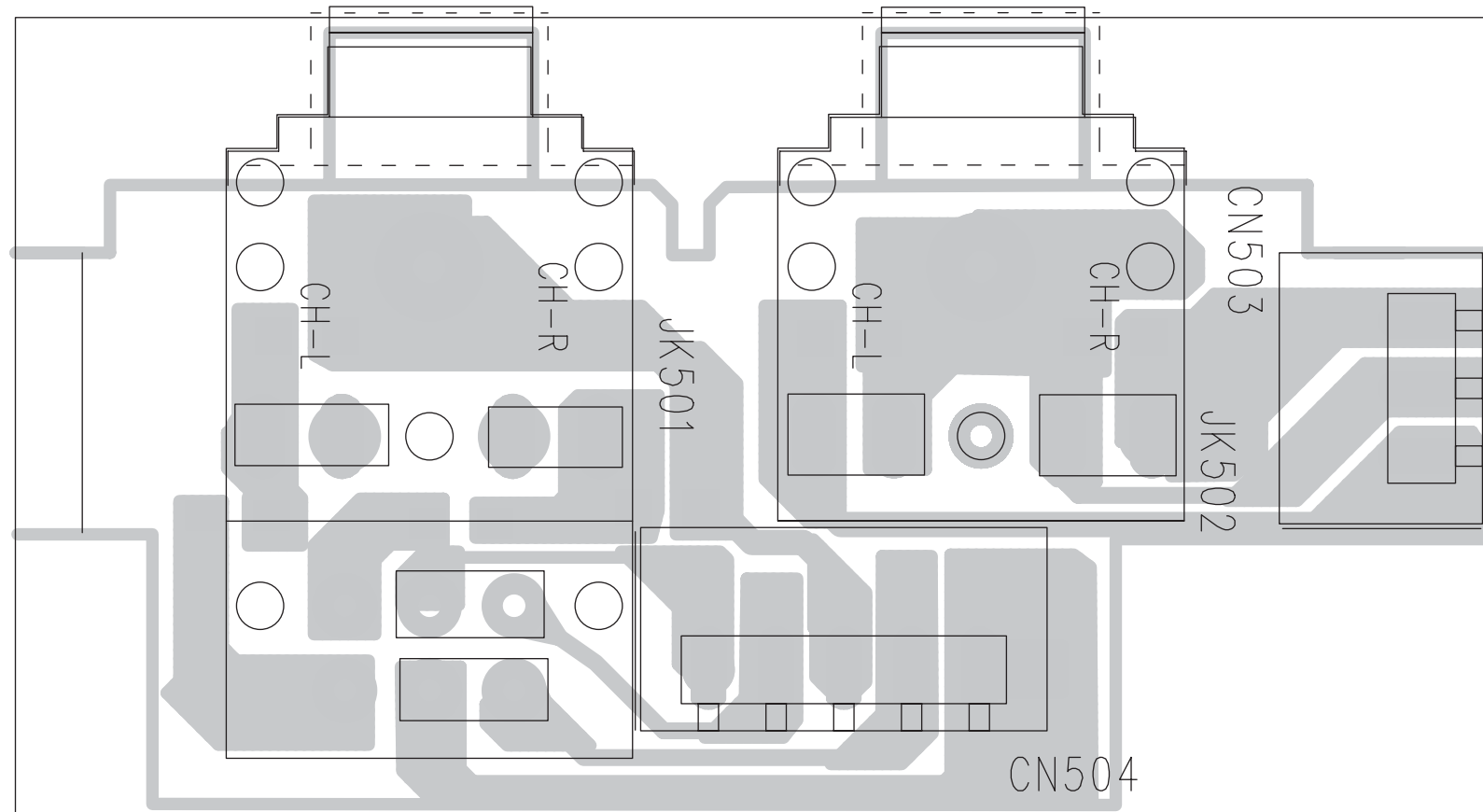




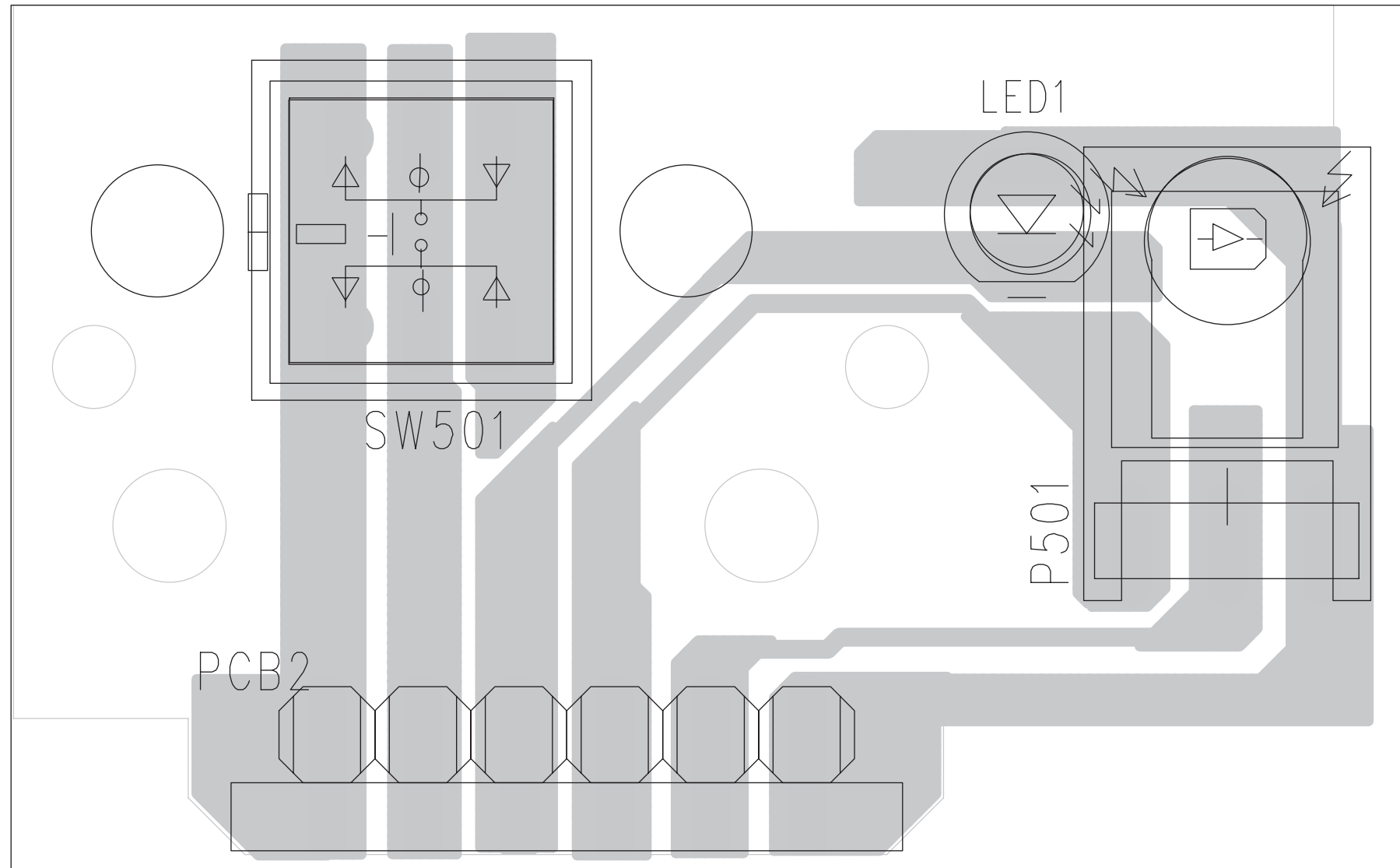
LAYOUT DIAGRAM - USB JACK BOARD



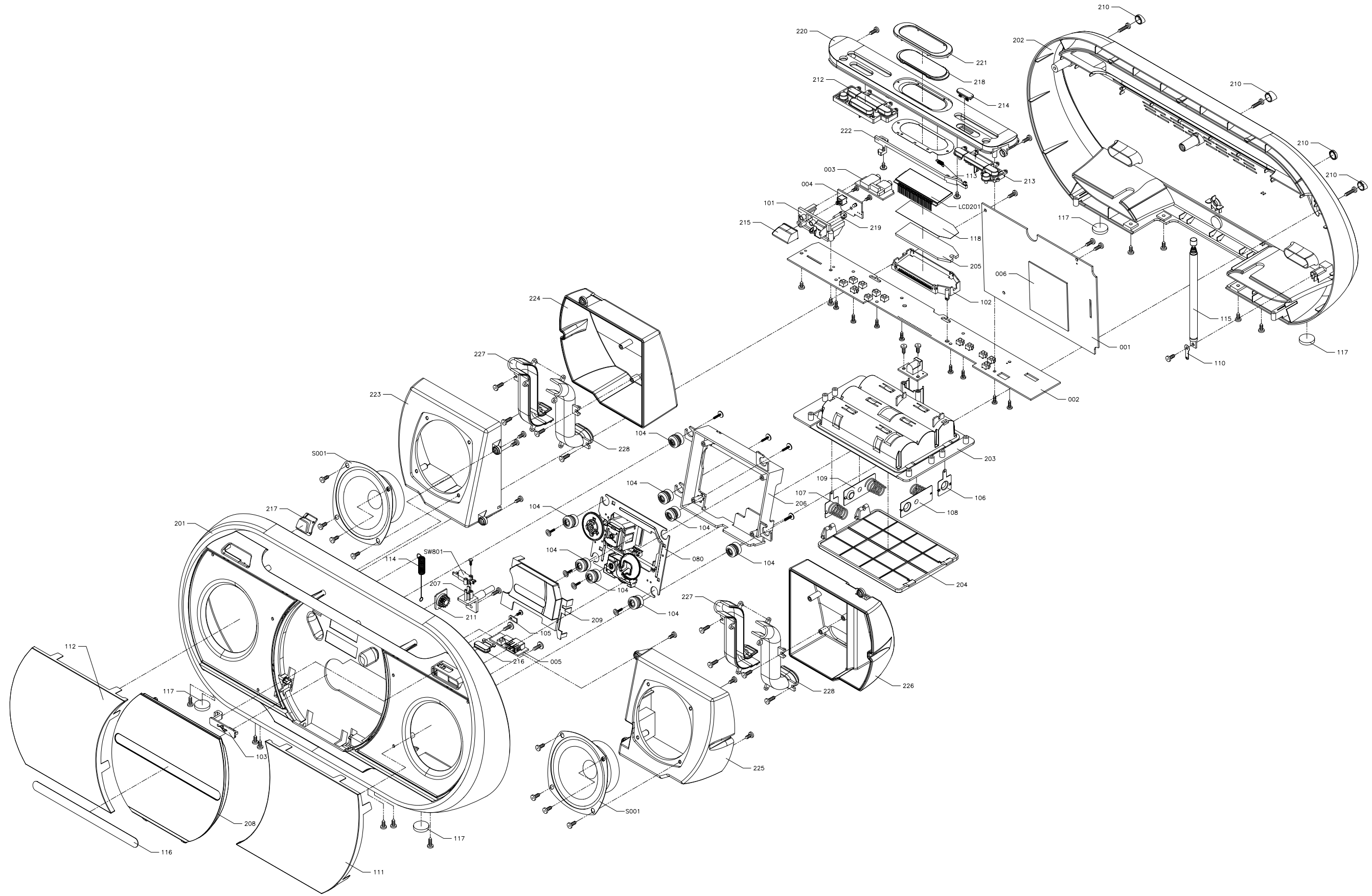
LAYOUT DIAGRAM - HEADPHONE JACK BOARD



LAYOUT DIAGRAM - POWER SWITCH BOARD



SET EXPLODED VIEW DIAGRAM



Service parts list

0007	996510022421	REMOTE CONTROL
0080	994000005085	CD MECHANISM DA11B3VZ (BALL)
0114	996510022422	CD DOOR SPRING
0204	996510022426	BATTERY DOOR
0208	996510022423	CD DOOR
0210	996510029726	SCREW HOLE COVER
0211	994000001295	DAMPER GEAR ASS'Y
J005	996510002103	CONN. CORD 3.5 ST/PLUGx2 500mm
S001	996510022424	SPEAKER 3 3W 3
T001	996510022425	AC ADAPTER VDE

Note: Only these parts mentioned in the list are normal service parts.